







**Codice / Code: 156 XXX Y LLL K Z**

|     |                         |                               |                |         |
|-----|-------------------------|-------------------------------|----------------|---------|
| XXX | 088                     | Tubo / hose 1 SN SAE 100 R1AT | G 3/8 .....    | pag. 26 |
|     | 091                     | Tubo / hose 1 SN SAE 100 R1AT | G 1 .....      | pag. 28 |
|     | 097                     | Tubo / hose 2 SN SAE 100 R2AT | G 1/4 .....    | pag. 29 |
|     | 098                     | Tubo / hose 2 SN SAE 100 R2AT | G 3/8 .....    | pag. 29 |
|     | 099                     | Tubo / hose 2 SN SAE 100 R2AT | G 1/2 .....    | pag. 30 |
|     | 100                     | Tubo / hose 2 SN SAE 100 R2AT | G 3/4 .....    | pag. 31 |
|     | 101                     | Tubo / hose 2 SN SAE 100 R2AT | G 1 .....      | pag. 33 |
|     | 102                     | Tubo / hose 2 SN SAE 100 R2AT | G 1" 1/4 ..... | pag. 35 |
|     | 111                     | Tubo / hose 4 SP SAE 100 R10  | G 1 .....      | pag. 36 |
|     | 112                     | Tubo / hose 4 SP SAE 100 R10  | G 1" 1/4 ..... | pag. 37 |
| 121 | Tubo / hose TEKNOMASTER | G 1 .....                     | pag. 38        |         |

|   |   |  |   |
|---|---|--|---|
| Y | 0   | FD + FD .....  |   |
|   |   | femmina diritta - femmina diritta<br>straight female - straight female               |   |
|   | 1   | FD + FC90° .....   |   |
|   |   | femmina diritta - femmina 90°<br>straight female - 90° female                        |   |
|   | 2   | FC90° + FC90° .....  |  |
|   |   | femmina 90° - femmina 90°<br>90° female - 90° female                                 |   |
| 3 | FD + M .....  |  |   |
|   | femmina diritta - maschio<br>straight female - male           |  |   |
| 4 | FD + FC45° .....  |  |   |
|   | femmina diritta - femmina 45°<br>straight female - 45° female |  |   |
| 5 | FC45° + FC45° .....   |  |   |
|   | femmina 45° - femmina 45°<br>45° female - 45° female          |  |   |

**LLL** Lunghezza / Length cm

**K** Chiave di controllo / Control key

**Z** Tubo con guaina / Hose with sheath \*  
I codici con suffisso (G o V o R) sono i tubi standard rivestiti con guaina termoplastica colorata.

G= guaina nera  
V= guaina verde  
R= guaina rossa

Suffix codes (G or V or R) are standard coated tubes with coloured thermoplastic sheath.  
G= black sheath  
V= green sheath  
R= red sheath

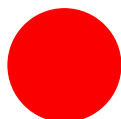
Le famiglie 1561010 / 1561013 e 1561110 / 1561113 hanno il terminale femmina diritta spinato.  
(in descrizione FDS - femmina diritta spinata)  
The families 1561010 / 1561013 and 1561110 / 1561113 have the straight straight barbed female terminal.  
(in description FDS - straight female barbed)

| Tipo tubo<br>Hose type      | Dimensione<br>Dimension | Diametro interno<br>Internal diameter | Diametro esterno<br>External diameter | Pressione di lavoro<br>Working pressure | Pressione di scoppio<br>Burst pressure | Raggio mini-<br>mo piegatura<br>Minimum bend radius | Coppia di serraggio femmina<br>Female tightening torque |
|-----------------------------|-------------------------|---------------------------------------|---------------------------------------|---|--|---|---|
|                             |                         | mm                                    | mm                                    | bar                                     | bar                                    | mm  | Nm  |
| <b>1 SN</b><br>SAE 100 R1AT | G 3/8                   | 9,5                                   | 17,1                                  | 180                                     | 720                                    | 130   | 35  |
|                             | G 1                     | 25,4                                  | 35,3                                  | 88                                      | 352                                    | 300   | 140   |
| <b>2 SN</b><br>SAE 100 R2AT | G 1/4                   | 6,4                                   | 14,6                                  | 400                                     | 1600                                   | 100   | 20  |
|                             | G 3/8                   | 9,5                                   | 18,7                                  | 330                                     | 1320                                   | 130   | 35  |
|                             | G 1/2                   | 12,8                                  | 21,8                                  | 275                                     | 1100                                   | 180   | 60  |
|                             | G 3/4                   | 19                                    | 29                                    | 215                                     | 850                                    | 240   | 115   |
|                             | G 1                     | 25                                    | 36,7                                  | 165                                     | 650                                    | 300   | 170   |
|                             | G 1" 1/4                | 31,8                                  | 46,7                                  | 125                                     | 500                                    | 420   | 210   |
| <b>4 SP</b><br>SAE 100 R10  | G 1                     | 25,4                                  | 38,8                                  | 320                                     | 1280                                   | 340   | 170   |
|                             | G 1" 1/4                | 31,8                                  | 50,8                                  | 210                                     | 840                                    | 460   | 210   |
| <b>TEKNOMASTER</b>          | G 1                     | 25,4                                  | 37,5                                  | 250                                     | 1000                                   | 300   | 140   |

**IDENTIFICAZIONE TUBI FLESSIBILI RACCORDATI**  
**IDENTIFICATION OF CONNECTED HOSES**



**4 SP**  
SAE 100 R10



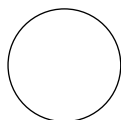
**Rosso - ALTA pressione**  
**Red - HIGH pressure**

**2 SN**  
SAE 100 R2AT



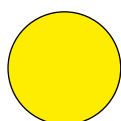
**Verde - MEDIA pressione**  
**Green - MEDIUM pressure**

**1 SN**  
SAE 100 R1AT



**Bianco - BASSA pressione**  
**White - LOW PRESSURE**

**TEKNOMASTER**



**Giallo - MEDIA pressione**  
**Yellow - MEDIUM pressure**

**Incisione Laser / Laser engraving**



**Etichetta / Label**



**\* TUBI CON GUAINA / \* HOSES WITH SHEATH**

I codici con suffisso G (es. 15609101500G) sono i tubi standard rivestiti con guaina termoplastica.  
Part numbers having suffix "G" at the end of the code refer to standard hoses covered with thermoplastic sheath.

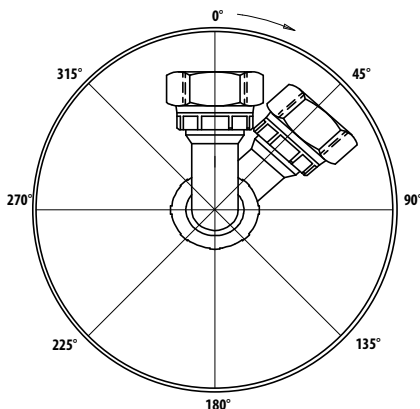


**REGOLE GENERALI**

Per i tubi flessibili raccordati FC+FC (90° o 45°) è necessario: **SPECIFICARE L'ORIENTAMENTO DI UNA CURVA RISPETTO ALL'ALTRA.**

Per specificare l'orientamento di una curva rispetto all'altra, mantenere il tubo in posizione orizzontale a partire dall'occhio dell'osservatore e disporre il raccordo più lontano in posizione verticale. Misurare nella direzione delle lancette dell'orologio, l'angolo compreso tra il raccordo più vicino e la verticale definita dal raccordo opposto. È ammessa una tolleranza  $\pm 3^\circ$ .

Il gergo tecnico dei costruttori, che OMFB adotta, si basa sull'immagine che segue:

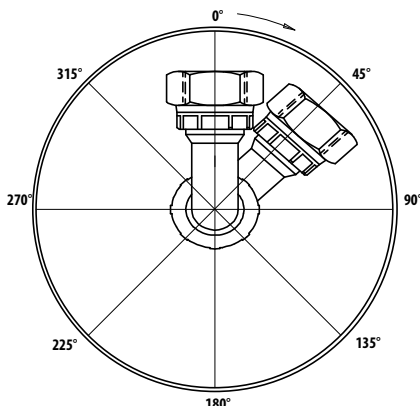


**Se non diversamente specificato, il tubo verrà fornito secondo la configurazione a 0°.**

**GENERAL RULE**

For hoses c/w elbow fittings (90° or 45°) it is required to **SPECIFY THE ORIENTATION OF THE FITTING COMPARED TO THE OTHER.**

To specify the the orientation of the elbow fitting compared to the other you have to place the hose in a horizontal position and measure the angle between the two fittings referring to the watch scheme, as shown in the picture below. It is allowed a tolerance of  $\pm 3^\circ$ .



**If not differently specified, the hose is normally supplied according to configuration 0°.**

**1 SN SAE 100 R1AT - G 3/8**



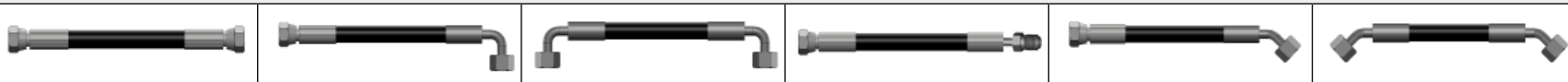
| <b>L</b><br><b>cm</b> | <b>Codice / Code</b> |  |  |             |  |
|-----------------------|----------------------|--|--|-------------|--|
| 50                    | 15608800506          |  |  | 15608830500 |  |
| 55                    | 15608800551          |  |  | 15608830555 |  |
| 60                    | 15608800604          |  |  | 15608830608 |  |
| 65                    | 15608800659          |  |  | 15608830653 |  |
| 70                    | 15608800702          |  |  | 15608830706 |  |
| 75                    | 15608800757          |  |  | 15608830751 |  |
| 80                    | 15608800800          |  |  | 15608830804 |  |
| 85                    | 15608800855          |  |  | 15608830859 |  |
| 90                    | 15608800908          |  |  | 15608830902 |  |
| 95                    | 15608800953          |  |  | 15608830957 |  |
| 100                   | 15608801005          |  |  | 15608831009 |  |
| 105                   | 15608801050          |  |  | 15608831054 |  |
| 110                   | 15608801103          |  |  | 15608831107 |  |
| 115                   | 15608801158          |  |  | 15608831152 |  |
| 120                   | 15608801201          |  |  | 15608831205 |  |
| 125                   | 15608801256          |  |  | 15608831250 |  |
| 130                   | 15608801309          |  |  | 15608831303 |  |
| 135                   | 15608801354          |  |  | 15608831358 |  |
| 140                   | 15608801407          |  |  | 15608831401 |  |
| 145                   | 15608801452          |  |  | 15608831456 |  |
| 150                   | 15608801505          |  |  | 15608831509 |  |
| 155                   | 15608801550          |  |  | 15608831554 |  |
| 160                   | 15608801603          |  |  | 15608831607 |  |
| 165                   | 15608801658          |  |  | 15608831652 |  |
| 170                   | 15608801701          |  |  | 15608831705 |  |
| 175                   | 15608801756          |  |  | 15608831750 |  |
| 180                   | 15608801809          |  |  | 15608831803 |  |
| 185                   | 15608801854          |  |  | 15608831858 |  |
| 190                   | 15608801907          |  |  | 15608831901 |  |
| 195                   | 15608801952          |  |  | 15608831956 |  |
| 200                   | 15608802004          |  |  | 15608832008 |  |
| 205                   | 15608802059          |  |  | 15608832053 |  |
| 210                   | 15608802102          |  |  | 15608832106 |  |
| 215                   | 15608802157          |  |  | 15608832151 |  |
| 220                   | 15608802200          |  |  | 15608832204 |  |
| 225                   | 15608802255          |  |  | 15608832259 |  |
| 230                   | 15608802308          |  |  | 15608832302 |  |
| 235                   | 15608802353          |  |  | 15608832357 |  |
| 240                   | 15608802406          |  |  | 15608832400 |  |

**1 SN SAE 100 R1AT - G 3/8**



| <b>L<br/>cm</b> | <b>Codice / Code</b> |  |  |             |  |  |
|-----------------|----------------------|--|--|-------------|--|--|
| 245             | 15608802451          |  |  | 15608832455 |  |  |
| 250             | 15608802504          |  |  | 15608832508 |  |  |
| 255             | 15608802559          |  |  | 15608832553 |  |  |
| 260             | 15608802602          |  |  | 15608832606 |  |  |
| 265             | 15608802657          |  |  | 15608832651 |  |  |
| 270             | 15608802700          |  |  | 15608832704 |  |  |
| 275             | 15608802755          |  |  | 15608832759 |  |  |
| 280             | 15608802808          |  |  | 15608832802 |  |  |
| 285             | 15608802853          |  |  | 15608832857 |  |  |
| 290             | 15608802906          |  |  | 15608832900 |  |  |
| 295             | 15608802951          |  |  | 15608832955 |  |  |
| 300             | 15608803003          |  |  | 15608833007 |  |  |
| 310             | 15608803101          |  |  | 15608833105 |  |  |
| 320             | 15608803209          |  |  | 15608833203 |  |  |
| 330             | 15608803307          |  |  | 15608833301 |  |  |
| 340             | 15608803405          |  |  | 15608833409 |  |  |
| 350             | 15608803503          |  |  | 15608833507 |  |  |
| 360             | 15608803601          |  |  | 15608833605 |  |  |
| 370             | 15608803709          |  |  | 15608833703 |  |  |
| 380             | 15608803807          |  |  | 15608833801 |  |  |
| 390             | 15608803905          |  |  | 15608833909 |  |  |
| 400             | 15608804002          |  |  | 15608834006 |  |  |
| 450             | 15608804502          |  |  | 15608834506 |  |  |
| 500             | 15608805001          |  |  | 15608835005 |  |  |
| 550             | 15608805501          |  |  | 15600835505 |  |  |

**1 SN SAE 100 R1AT - G 1**



| L<br>cm | Codice / Code |             |  |             |  |  |
|---------|---------------|-------------|--|-------------|--|--|
| 45      | 15609100458   |             |  |             |  |  |
| 50      | 15609100501   |             |  |             |  |  |
| 55      | 15609100556   |             |  |             |  |  |
| 60      | 15609100609   |             |  |             |  |  |
| 65      | 15609100654   |             |  |             |  |  |
| 70      | 15609100707   |             |  |             |  |  |
| 75      | 15609100752   |             |  |             |  |  |
| 80      | 15609100805   |             |  |             |  |  |
| 85      | 15609100850   |             |  |             |  |  |
| 90      | 15609100903   |             |  |             |  |  |
| 95      | 15609100958   |             |  |             |  |  |
| 100     | 15609101000   |             |  |             |  |  |
| 105     | 15609101055   |             |  |             |  |  |
| 110     | 15609101108   |             |  |             |  |  |
| 115     | 15609101153   |             |  |             |  |  |
| 120     | 15609101206   |             |  |             |  |  |
| 125     | 15609101251   |             |  |             |  |  |
| 130     | 15609101304   |             |  |             |  |  |
| 135     | 15609101359   |             |  |             |  |  |
| 140     | 15609101402   |             |  |             |  |  |
| 145     | 15609101457   |             |  |             |  |  |
| 150     | 15609101500   |             |  | 15609131504 |  |  |
| 155     | 15609101555   |             |  |             |  |  |
| 160     | 15609101608   |             |  | 15609131602 |  |  |
| 165     | 15609101653   |             |  |             |  |  |
| 170     | 15609101706   |             |  | 15609131700 |  |  |
| 175     | 15609101751   |             |  |             |  |  |
| 180     | 15609101804   |             |  | 15609131808 |  |  |
| 185     | 15609101859   |             |  |             |  |  |
| 190     | 15609101902   |             |  | 15609131906 |  |  |
| 195     | 15609101957   |             |  |             |  |  |
| 200     | 15609102009   | 15609112007 |  | 15609132003 |  |  |
| 210     | 15609102107   |             |  | 15609132101 |  |  |
| 220     | 15609102205   |             |  | 15609132209 |  |  |
| 230     | 15609102303   |             |  | 15609132307 |  |  |
| 240     | 15609102401   |             |  | 15609132405 |  |  |
| 250     | 15609102509   | 15609112507 |  | 15609132503 |  |  |
| 260     | 15609102607   |             |  |             |  |  |

**1 SN SAE 100 R1AT - G 1**



| <b>L</b><br><b>cm</b> | <b>Codice / Code</b> |             |  |  |  |  |
|-----------------------|----------------------|-------------|--|--|--|--|
| 270                   | 15609102705          |             |  |  |  |  |
| 280                   | 15609102803          |             |  |  |  |  |
| 290                   | 15609102901          |             |  |  |  |  |
| 300                   | 15609103008          | 15609113006 |  |  |  |  |
| 310                   | 15609103106          |             |  |  |  |  |
| 320                   | 15609103204          |             |  |  |  |  |
| 330                   | 15609103302          |             |  |  |  |  |
| 340                   | 15609103400          |             |  |  |  |  |
| 350                   | 15609103508          | 15609113506 |  |  |  |  |
| 360                   | 15609103606          |             |  |  |  |  |
| 370                   | 15609103704          |             |  |  |  |  |
| 380                   | 15609103802          |             |  |  |  |  |
| 390                   | 15609103900          |             |  |  |  |  |
| 400                   | 15609104007          |             |  |  |  |  |

**2 SN SAE 100 R2AT - G 1/4**



| <b>L</b><br><b>cm</b> | <b>Codice / Code</b> |  |  |  |  |  |
|-----------------------|----------------------|--|--|--|--|--|
| 300                   | 15609703002          |  |  |  |  |  |

**2 SN SAE 100 R2AT - G 3/8**



| <b>L</b><br><b>cm</b> | <b>Codice / Code</b> |  |             |  |  |  |
|-----------------------|----------------------|--|-------------|--|--|--|
| 70                    |                      |  | 15609820706 |  |  |  |
| 75                    |                      |  | 15609820751 |  |  |  |

**2 SN SAE 100 R2AT - G 1/2**



| L<br>cm | Codice / Code |             |  |             |  |  |
|---------|---------------|-------------|--|-------------|--|--|
|         |               |             |  |             |  |  |
| 50      | 15609900503   |             |  | 15609930507 |  |  |
| 60      | 15609900601   |             |  | 15609930605 |  |  |
| 70      | 15609900709   |             |  | 15609930703 |  |  |
| 80      | 15609900807   |             |  | 15609930801 |  |  |
| 90      | 15609900905   |             |  | 15609930909 |  |  |
| 100     | 15609901002   |             |  | 15609931006 |  |  |
| 110     | 15609901100   |             |  | 15609931104 |  |  |
| 120     | 15609901208   |             |  | 15609931202 |  |  |
| 130     | 15609901306   |             |  | 15609931300 |  |  |
| 140     | 15609901404   |             |  | 15609931408 |  |  |
| 145     |               | 15609911457 |  |             |  |  |
| 150     | 15609901502   | 15609911500 |  | 15609931506 |  |  |
| 160     | 15609901600   |             |  | 15609931604 |  |  |
| 170     | 15609901708   |             |  | 15609931702 |  |  |
| 180     | 15609901806   |             |  | 15609931800 |  |  |
| 190     | 15609901904   |             |  | 15609931908 |  |  |
| 200     | 15609902001   |             |  | 15609932005 |  |  |
| 205     |               |             |  | 15609932050 |  |  |
| 210     | 15609902109   |             |  | 15609932103 |  |  |
| 220     | 15609902207   |             |  | 15609932201 |  |  |
| 230     | 15609902305   |             |  | 15609932309 |  |  |
| 240     | 15609902403   |             |  | 15609932407 |  |  |
| 250     | 15609902501   |             |  | 15609932505 |  |  |
| 260     | 15609902609   |             |  | 15609932603 |  |  |
| 270     | 15609902707   |             |  | 15609932701 |  |  |
| 280     | 15609902805   |             |  | 15609932809 |  |  |
| 290     | 15609902903   |             |  | 15609932907 |  |  |
| 300     | 15609903000   |             |  | 15609933004 |  |  |
| 310     | 15609903108   |             |  | 15609933102 |  |  |
| 320     | 15609903206   |             |  | 15609933200 |  |  |
| 330     | 15609903304   |             |  | 15609933308 |  |  |
| 340     | 15609903402   |             |  | 15609933406 |  |  |
| 350     | 15609903500   |             |  | 15609933504 |  |  |
| 360     | 15609903608   |             |  | 15609933602 |  |  |
| 370     | 15609903706   |             |  | 15609933700 |  |  |
| 380     | 15609903804   |             |  | 15609933808 |  |  |
| 390     | 15609903902   |             |  | 15609933906 |  |  |
| 400     | 15609904009   |             |  | 15609934003 |  |  |
| 450     |               |             |  | 15609934503 |  |  |
| 550     | 15609905508   |             |  |             |  |  |
| 600     | 15609906007   |             |  |             |  |  |

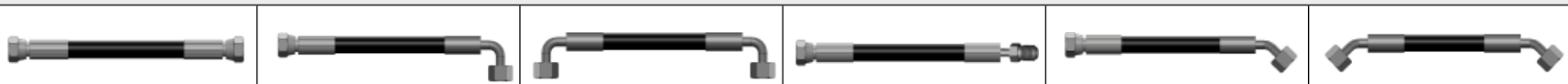


**2 SN SAE 100 R2AT - G 3/4**



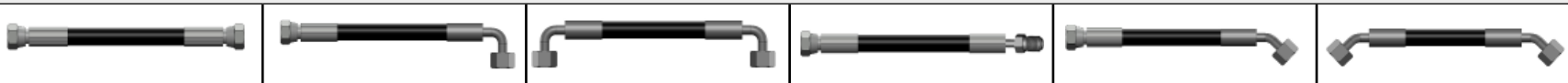
| L<br>cm | Codice / Code |             |             |             |  |  |
|---------|---------------|-------------|-------------|-------------|--|--|
|         | 65            | 1561000652  | 15610010650 |             |  |  |
| 70      | 1561000705    | 15610010703 | 15610020701 | 15610030709 |  |  |
| 75      | 1561000750    | 15610010758 | 15610020756 | 15610030754 |  |  |
| 80      | 1561000803    | 15610010801 | 15610020809 | 15610030807 |  |  |
| 85      | 1561000858    | 15610010856 | 15610020854 | 15610030852 |  |  |
| 90      | 1561000901    | 15610010909 | 15610020907 | 15610030905 |  |  |
| 95      | 1561000956    | 15610010954 | 15610020952 | 15610030950 |  |  |
| 100     | 15610001008   | 15610011006 | 15610021004 | 15610031002 |  |  |
| 105     | 15610001053   | 15610011051 | 15610021059 | 15610031057 |  |  |
| 110     | 15610001106   | 15610011104 | 15610021102 | 15610031100 |  |  |
| 115     | 15610001151   | 15610011159 | 15610021157 | 15610031155 |  |  |
| 120     | 15610001204   | 15610011202 | 15610021200 | 15610031208 |  |  |
| 125     | 15610001259   | 15610011257 | 15610021255 | 15610031253 |  |  |
| 130     | 15610001302   | 15610011300 | 15610021308 | 15610031306 |  |  |
| 135     | 15610001357   | 15610011355 | 15610021353 | 15610031351 |  |  |
| 140     | 15610001400   | 15610011408 | 15610021406 | 15610031404 |  |  |
| 145     | 15610001455   | 15610011453 | 15610021451 | 15610031459 |  |  |
| 150     | 15610001508   | 15610011506 | 15610021504 | 15610031502 |  |  |
| 155     | 15610001553   | 15610011551 | 15610021559 | 15610031557 |  |  |
| 160     | 15610001606   | 15610011604 | 15610021602 | 15610031600 |  |  |
| 165     | 15610001651   | 15610011659 | 15610021657 | 15610031655 |  |  |
| 170     | 15610001704   | 15610011702 | 15610021700 | 15610031708 |  |  |
| 175     | 15610001759   |             |             |             |  |  |
| 180     | 15610001802   | 15610011800 | 15610021808 | 15610031806 |  |  |
| 190     | 15610001900   | 15610011908 | 15610021906 | 15610031904 |  |  |
| 200     | 15610002007   | 15610012005 | 15610022003 | 15610032001 |  |  |
| 210     | 15610002105   | 15610012103 | 15610022101 | 15610032109 |  |  |
| 220     | 15610002203   | 15610012201 | 15610022209 | 15610032207 |  |  |
| 230     | 15610002301   | 15610012309 | 15610022307 | 15610032305 |  |  |
| 240     | 15610002409   |             |             | 15610032403 |  |  |
| 250     | 15610002507   |             |             | 15610032501 |  |  |
| 260     | 15610002605   |             |             |             |  |  |
| 270     | 15610002703   |             |             | 15610032707 |  |  |
| 280     | 15610002801   |             |             | 15610032805 |  |  |
| 290     | 15610002909   |             |             | 15610032903 |  |  |
| 300     | 15610003006   |             |             | 15610033000 |  |  |

**2 SN SAE 100 R2AT - G 3/4**



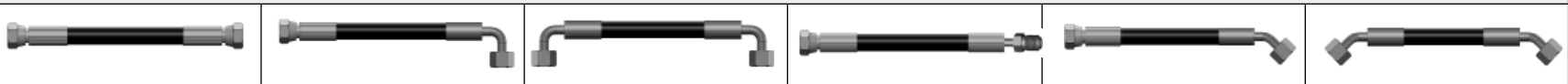
| L<br>cm | Codice / Code |             |  |             |             |  |
|---------|---------------|-------------|--|-------------|-------------|--|
|         | 310           | 15610003104 |  |             | 15610033108 |  |
| 320     | 15610003202   |             |  | 15610033206 |             |  |
| 330     | 15610003300   |             |  | 15610033304 |             |  |
| 340     | 15610003408   |             |  | 15610033402 |             |  |
| 350     | 15610003506   |             |  | 15610033500 |             |  |
| 360     | 15610003604   |             |  | 15610033608 |             |  |
| 370     | 15610003702   |             |  | 15610033706 |             |  |
| 380     | 15610003800   |             |  | 15610033804 |             |  |
| 390     | 15610003908   |             |  | 15610033902 |             |  |
| 400     | 15610004005   |             |  | 15610034009 |             |  |
| 410     | 15610004103   |             |  |             |             |  |
| 550     | 15610005504   |             |  |             |             |  |
| 600     | 15610006003   |             |  |             |             |  |

**2 SN SAE 100 R2AT - G 1**



| L<br>cm | Codice / Code |             |             |             |  |  |
|---------|---------------|-------------|-------------|-------------|--|--|
|         |               |             |             |             |  |  |
| 40      | 15610100400   | 15610110408 | 15610120406 |             |  |  |
| 45      | 15610100455   | 15610110453 | 15610120451 |             |  |  |
| 50      | 15610100508   | 15610110506 | 15610120504 |             |  |  |
| 55      | 15610100553   | 15610110551 | 15610120559 |             |  |  |
| 60      | 15610100606   | 15610110604 | 15610120602 |             |  |  |
| 65      | 15610100651   | 15610110659 | 15610120657 |             |  |  |
| 70      | 15610100704   | 15610110702 | 15610120700 | 15610130708 |  |  |
| 75      | 15610100759   | 15610110757 | 15610120755 | 15610130753 |  |  |
| 80      | 15610100802   | 15610110800 | 15610120808 | 15610130806 |  |  |
| 81      | 15610100811   |             |             |             |  |  |
| 85      | 15610100857   | 15610110855 | 15610120853 | 15610130851 |  |  |
| 90      | 15610100900   | 15610110908 | 15610120906 | 15610130904 |  |  |
| 95      | 15610100955   | 15610110953 | 15610120951 | 15610130959 |  |  |
| 100     | 15610101007   | 15610111005 | 15610121003 | 15610131001 |  |  |
| 105     | 15610101052   | 15610111050 | 15610121058 | 15610131056 |  |  |
| 110     | 15610101105   | 15610111103 | 15610121101 | 15610131109 |  |  |
| 115     | 15610101150   | 15610111158 | 15610121156 | 15610131154 |  |  |
| 120     | 15610101203   | 15610111201 | 15610121209 | 15610131207 |  |  |
| 125     | 15610101258   | 15610111256 | 15610121254 | 15610131252 |  |  |
| 130     | 15610101301   | 15610111309 | 15610121307 | 15610131305 |  |  |
| 135     | 15610101356   | 15610111354 | 15610121352 | 15610131350 |  |  |
| 140     | 15610101409   | 15610111407 | 15610121405 | 15610131403 |  |  |
| 145     | 15610101454   | 15610111452 | 15610121450 | 15610131458 |  |  |
| 150     | 15610101507   | 15610111505 | 15610121503 | 15610131501 |  |  |
| 155     | 15610101552   | 15610111550 | 15610121558 | 15610131556 |  |  |
| 160     | 15610101605   | 15610111603 | 15610121601 | 15610131609 |  |  |
| 165     | 15610101650   | 15610111658 | 15610121656 | 15610131654 |  |  |
| 170     | 15610101703   | 15610111701 | 15610121709 | 15610131707 |  |  |
| 175     | 15610101758   |             |             | 15610131752 |  |  |
| 180     | 15610101801   | 15610111809 | 15610121807 | 15610131805 |  |  |
| 185     | 15610101856   |             |             |             |  |  |
| 190     | 15610101909   | 15610111907 | 15610121905 | 15610131903 |  |  |
| 200     | 15610102006   | 15610112004 | 15610122002 | 15610132000 |  |  |
| 205     | 15610102051   |             |             |             |  |  |
| 210     | 15610102104   | 15610112102 | 15610122100 | 15610132108 |  |  |
| 220     | 15610102202   | 15610112200 | 15610122208 | 15610132206 |  |  |
| 230     | 15610102300   | 15610112308 | 15610122306 | 15610132304 |  |  |
| 240     | 15610102408   |             |             | 15610132402 |  |  |
| 250     | 15610102506   |             |             | 15610132500 |  |  |
| 260     | 15610102604   |             |             | 15610132608 |  |  |

**2 SN SAE 100 R2AT - G 1**



| L<br>cm | Codice / Code |  |  |             |  |  |
|---------|---------------|--|--|-------------|--|--|
|         |               |  |  |             |  |  |
| 270     | 15610102702   |  |  | 15610132706 |  |  |
| 275     | 15610102757   |  |  |             |  |  |
| 280     | 15610102800   |  |  | 15610132804 |  |  |
| 290     | 15610102908   |  |  | 15610132902 |  |  |
| 300     | 15610103005   |  |  | 15610133009 |  |  |
| 310     | 15610103103   |  |  | 15610133107 |  |  |
| 320     | 15610103201   |  |  | 15610133205 |  |  |
| 330     | 15610103309   |  |  | 15610133303 |  |  |
| 340     | 15610103407   |  |  | 15610133401 |  |  |
| 350     | 15610103505   |  |  | 15610133509 |  |  |
| 360     | 15610103603   |  |  | 15610133607 |  |  |
| 370     | 15610103701   |  |  | 15610133705 |  |  |
| 380     | 15610103809   |  |  | 15610133803 |  |  |
| 390     | 15610103907   |  |  | 15610133901 |  |  |
| 400     | 15610104004   |  |  | 15610134008 |  |  |
| 425     | 15610104255   |  |  | 15610134259 |  |  |
| 450     | 15610104504   |  |  | 15610134508 |  |  |
| 475     | 15610104755   |  |  | 15610134759 |  |  |
| 550     | 15610105503   |  |  | 15610135007 |  |  |
| 600     | 15610106002   |  |  |             |  |  |
| 1000    | 15610109992   |  |  |             |  |  |

## 2 SN SAE 100 R2AT - G 1" 1/4



| L<br>cm | Codice / Code |  |  |             |             |  |
|---------|---------------|--|--|-------------|-------------|--|
| 50      | 15610200507   |  |  | 15610230501 |             |  |
| 60      | 15610200605   |  |  | 15610230609 |             |  |
| 70      | 15610200703   |  |  | 15610230707 |             |  |
| 80      | 15610200801   |  |  | 15610230805 |             |  |
| 90      | 15610200909   |  |  | 15610230903 |             |  |
| 100     | 15610201006   |  |  | 15610231000 |             |  |
| 110     | 15610201104   |  |  | 15610231108 |             |  |
| 120     | 15610201202   |  |  | 15610231206 |             |  |
| 125     |               |  |  |             | 15610241259 |  |
| 130     | 15610201300   |  |  | 15610231304 |             |  |
| 140     | 15610201408   |  |  | 15610231402 |             |  |
| 150     | 15610201506   |  |  | 15610231500 |             |  |
| 160     | 15610201604   |  |  | 15610231608 |             |  |
| 170     | 15610201702   |  |  | 15610231706 |             |  |
| 180     | 15610201800   |  |  | 15610231804 |             |  |
| 190     | 15610201908   |  |  | 15610231902 |             |  |
| 200     | 15610202005   |  |  | 15610232009 |             |  |
| 210     | 15610202103   |  |  | 15610232107 |             |  |
| 220     | 15610202201   |  |  | 15610232205 |             |  |
| 230     | 15610202309   |  |  | 15610232303 |             |  |
| 240     | 15610202407   |  |  | 15610232401 |             |  |
| 250     | 15610202505   |  |  | 15610232509 |             |  |
| 260     | 15610202603   |  |  | 15610232607 |             |  |
| 270     | 15610202701   |  |  | 15610232705 |             |  |
| 280     | 15610202809   |  |  | 15610232803 |             |  |
| 290     | 15610202907   |  |  | 15610232901 |             |  |
| 300     | 15610203004   |  |  | 15610233008 |             |  |

**4 SP SAE 100 R10 - G 1**



| L<br>cm | Codice / Code |             |             |             |  |
|---------|---------------|-------------|-------------|-------------|--|
|         | 60            | 15611100604 |             |             |  |
| 70      | 15611100702   | 15611110700 | 15611120708 | 15611130706 |  |
| 75      | 15611100757   | 15611110755 | 15611120753 | 15611130751 |  |
| 80      | 15611100800   | 15611110808 | 15611120806 | 15611130804 |  |
| 85      | 15611100855   | 15611110853 | 15611120851 | 15611130859 |  |
| 90      | 15611100908   | 15611110906 | 15611120904 | 15611130902 |  |
| 95      | 15611100953   | 15611110951 | 15611120959 | 15611130957 |  |
| 100     | 15611101005   | 15611111003 | 15611121001 | 15611131009 |  |
| 105     | 15611101050   | 15611111058 | 15611121056 | 15611131054 |  |
| 110     | 15611101103   | 15611111101 | 15611121109 | 15611131107 |  |
| 115     | 15611101158   | 15611111156 | 15611121154 | 15611131152 |  |
| 120     | 15611101201   | 15611111209 | 15611121207 | 15611131205 |  |
| 125     | 15611101256   | 15611111254 | 15611121252 | 15611131250 |  |
| 130     | 15611101309   | 15611111307 | 15611121305 | 15611131303 |  |
| 135     | 15611101354   | 15611111352 | 15611121350 | 15611131358 |  |
| 140     | 15611101407   | 15611111405 | 15611121403 | 15611131401 |  |
| 145     | 15611101452   | 15611111450 | 15611121458 | 15611131456 |  |
| 150     | 15611101505   | 15611111503 | 15611121501 | 15611131509 |  |
| 155     | 15611101550   | 15611111558 | 15611121556 | 15611131554 |  |
| 160     | 15611101603   | 15611111601 | 15611121609 | 15611131607 |  |
| 165     | 15611101658   | 15611111656 | 15611121654 | 15611131652 |  |
| 170     | 15611101701   | 15611111709 | 15611121707 | 15611131705 |  |
| 175     | 15611101756   |             |             |             |  |
| 180     | 15611101809   | 15611111807 | 15611121805 | 15611131803 |  |
| 185     | 15611101854   |             |             | 15611131858 |  |
| 190     | 15611101907   | 15611111905 | 15611121903 | 15611131901 |  |
| 200     | 15611102004   | 15611112002 | 15611122000 | 15611132008 |  |
| 210     | 15611102102   | 15611112100 | 15611122108 | 15611132106 |  |
| 220     | 15611102200   | 15611112208 | 15611122206 | 15611132204 |  |
| 230     | 15611102308   | 15611112306 | 15611122304 | 15611132302 |  |
| 240     | 15611102406   |             |             | 15611132400 |  |
| 250     | 15611102504   |             |             | 15611132508 |  |
| 260     | 15611102602   |             |             | 15611132606 |  |
| 270     | 15611102700   |             |             | 15611132704 |  |
| 280     | 15611102808   |             |             |             |  |
| 290     | 15611102906   |             |             |             |  |
| 300     | 15611103003   |             |             | 15611133007 |  |
| 310     | 15611103101   |             |             |             |  |
| 320     | 15611103209   |             |             |             |  |

**4 SP SAE 100 R10 - G 1**



| <b>L</b><br><b>cm</b> | <b>Codice / Code</b> |  |  |             |  |  |
|-----------------------|----------------------|--|--|-------------|--|--|
| 330                   | 15611103307          |  |  |             |  |  |
| 340                   | 15611103405          |  |  |             |  |  |
| 350                   | 15611103503          |  |  | 15611133507 |  |  |
| 360                   | 15611103601          |  |  |             |  |  |
| 370                   | 15611103709          |  |  |             |  |  |
| 380                   | 15611103807          |  |  |             |  |  |
| 390                   | 15611103905          |  |  |             |  |  |
| 400                   | 15611104002          |  |  | 15611134006 |  |  |
| 450                   | 15611104502          |  |  |             |  |  |
| 550                   | 15611105501          |  |  |             |  |  |
| 600                   | 15611106000          |  |  |             |  |  |

**4 SP SAE 100 R10 - G 1" 1/4**



| <b>L</b><br><b>cm</b> | <b>Codice / Code</b> |  |  |             |  |  |
|-----------------------|----------------------|--|--|-------------|--|--|
| 50                    |                      |  |  | 15611230509 |  |  |
| 60                    |                      |  |  | 15611230607 |  |  |
| 70                    |                      |  |  | 15611230705 |  |  |
| 80                    |                      |  |  | 15611230803 |  |  |
| 90                    |                      |  |  | 15611230901 |  |  |
| 100                   |                      |  |  | 15611231008 |  |  |
| 110                   |                      |  |  | 15611231106 |  |  |
| 120                   |                      |  |  | 15611231204 |  |  |
| 130                   |                      |  |  | 15611231302 |  |  |
| 140                   |                      |  |  | 15611231400 |  |  |
| 150                   |                      |  |  | 15611231508 |  |  |
| 160                   |                      |  |  | 15611231606 |  |  |
| 170                   |                      |  |  | 15611231704 |  |  |
| 180                   |                      |  |  | 15611231802 |  |  |
| 190                   |                      |  |  | 15611231900 |  |  |
| 200                   |                      |  |  | 15611232007 |  |  |
| 210                   |                      |  |  | 15611232105 |  |  |
| 220                   |                      |  |  | 15611232203 |  |  |
| 230                   |                      |  |  | 15611232301 |  |  |
| 240                   |                      |  |  | 15611232409 |  |  |
| 250                   |                      |  |  | 15611232507 |  |  |

**TEKNOMASTER - G 1**



| <b>L</b><br><b>cm</b> | <b>Codice / Code</b> |             |  |             |             |
|-----------------------|----------------------|-------------|--|-------------|-------------|
| 80                    | 15612100808          |             |  |             | 15612140800 |
| 85                    | 15612100853          |             |  |             |             |
| 90                    | 15612100906          |             |  |             |             |
| 95                    | 15612100951          |             |  |             | 15612140953 |
| 100                   | 15612101003          |             |  |             |             |
| 105                   | 15612101058          |             |  |             |             |
| 110                   | 15612101101          |             |  |             |             |
| 115                   | 15612101156          |             |  |             |             |
| 120                   | 15612101209          |             |  |             |             |
| 125                   | 15612101254          |             |  |             |             |
| 130                   | 15612101307          |             |  |             |             |
| 135                   | 15612101352          |             |  |             |             |
| 140                   | 15612101405          |             |  | 15612131409 |             |
| 145                   | 15612101450          |             |  | 15612131454 |             |
| 150                   | 15612101503          |             |  |             |             |
| 160                   | 15612101601          | 15612111609 |  |             |             |
| 170                   | 15612101709          | 15612111707 |  |             |             |
| 180                   | 15612101807          |             |  |             |             |
| 190                   | 15612101905          |             |  |             |             |
| 200                   | 15612102002          |             |  |             |             |
| 250                   | 15612102502          |             |  |             |             |
| 310                   | 15612103001          |             |  |             |             |
| 350                   | 15612103501          |             |  |             |             |
| 400                   | 15612104000          |             |  |             |             |
| 425                   | 15612104251          |             |  |             |             |
| 450                   | 15612104500          |             |  |             |             |